



Digital Lectern



Keywords

- *15.6-inch touchscreen with anti-glare treatment*
- *Built-in PC*
- *Adjustable height*
- *Dual mic with standard XLR connector*
- *Elegant appearance*

CE
FCC
RoHS



Thanks for choosing us,
Please read this instruction carefully before using the device.



Please remove the transportation screws in the back, right, left side of housing and protection foam of the screen before power up to avoid damage to the product!

In order to make sure the device is working properly, please follow below instructions:

- If found any abnormal situation, please cut off the power, plug off the power cord and contact the supplier. To avoid any fire accident, DON'T use device in following situations,
 - If peculiar smell found or fog comes from the product
 - If water or metal parts get inside the product
 - If the housing is deformed or damaged
 - If internal wire is broken
- As the device is high voltage, please DON'T open the housing at random to avoid fire or electric shock.
- DON'T put any conducting liquid on top of the product, to avoid fire or electric shock.
- The product is I type, should be connected to ground.





● Display

screen size	15.6 inch, 10 point capacity touch
matrix type	IPS
resolution	1920*1080
brightness	400cd/ m ²
contrast ratio	800:1
aspect ratio	16:9
view angle	85/85/85/85
backlight lifespan	15000 hours
response time	30(Typ.)(Tr+Td)ms
screen tilt	25°

● Microphone

stem length	43cm
voice capture distance	50cm
directionality	hypercardioid
frequency response	40Hz-16KHz
sensitivity	-38dB±2dB
output	3-pin XLR
output impedance	200Ω
power supply	48V phantom power

*Above specifications are subject to change without prior notice,
explanation right reserved.*



- Built-in PC

CPU	standard: RK3588 octa-core (4×A76 + 4×A55) up to 2.4GHz, Mali-G610 GPU optional: 12th Gen Intel Core i5
RAM	8G
SSD	256G

- Electronical

data input	USB 3.0*2
output	HDMI*1, 3-pin XLR
power supply	AC 220V~250V 50~60Hz
power consumption	<36W

- Mechanism

height	1131-1281mm motorized adjustable
G.W.	45kgs
packing dimension	650*390*1350mm
temperature	working 0°C~+50°C, storage -20°C~+60°C
humidity	working ≤90%, storage ≤90%

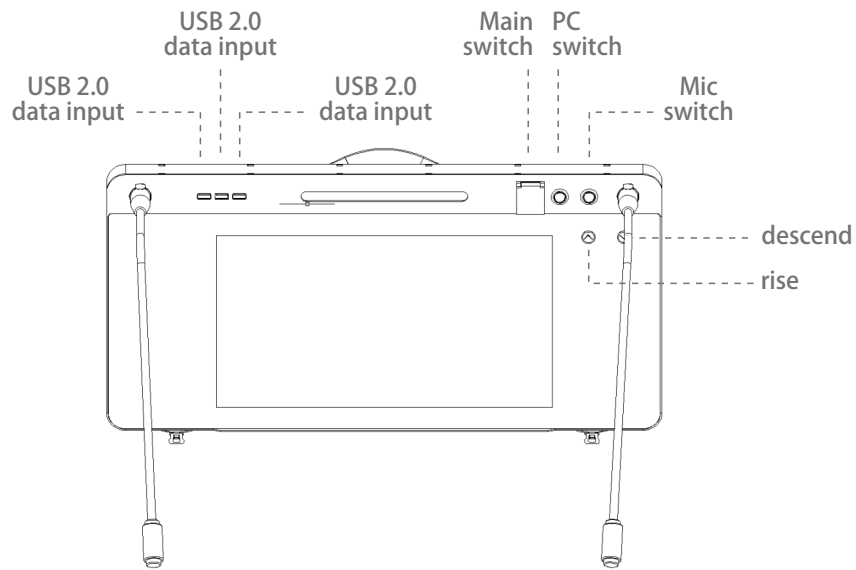
- Accessory

power cord	
------------	--

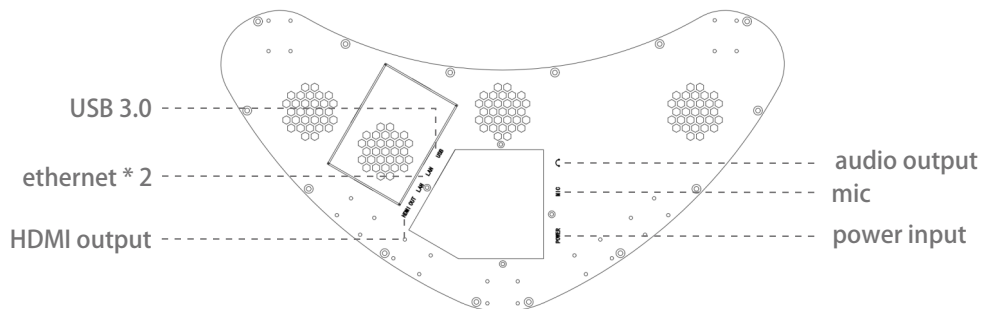
Above specifications are subject to change without prior notice, explanation right reserved.



Lecturer plate



Connectors from the bottom

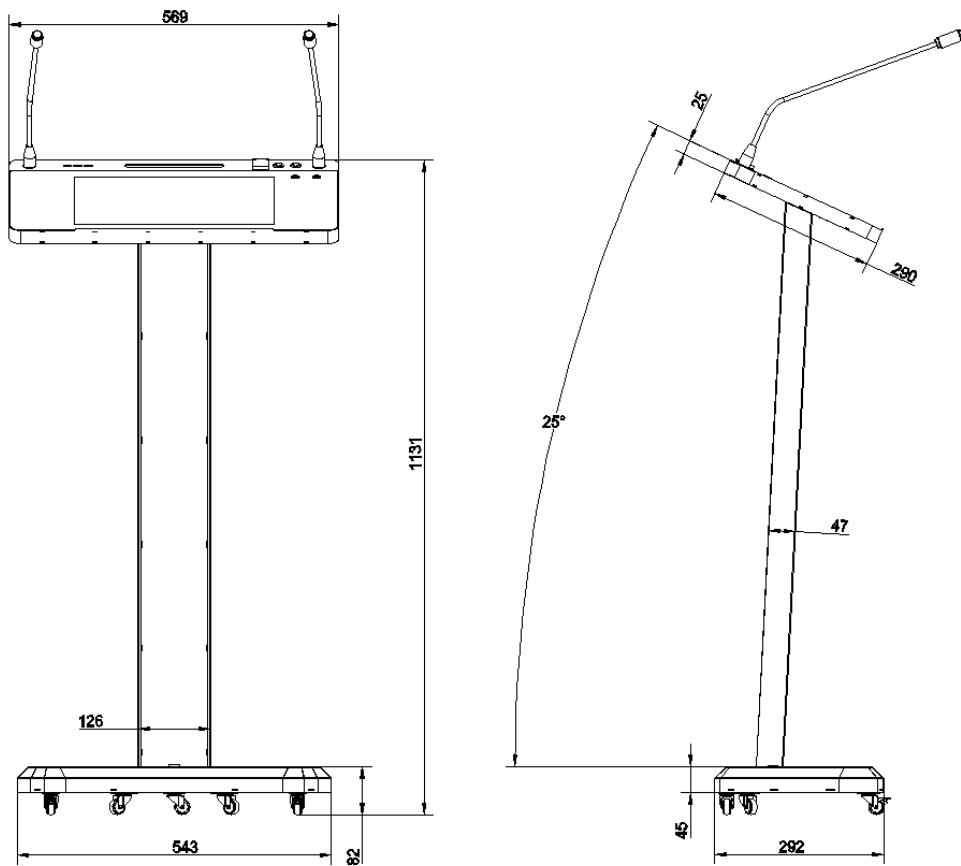


Warranty

1 year by default, effective from delivery date
price increase 3% when extend to 2years
price increase 5% when extend to 3years
price increase 10% when extend to 5years



Dimensions



Above dimensions for reference and subject to change, please double confirm.

