



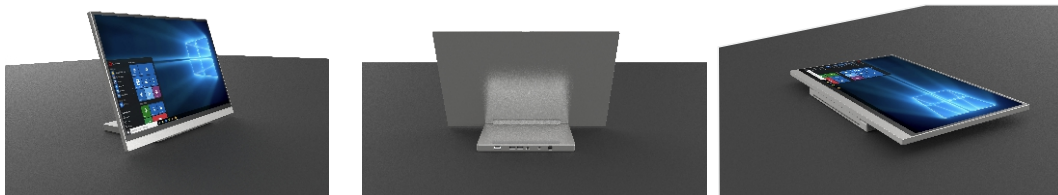
# Tabletop Manually Foldable Monitor



## Keywords

- *Ultra-narrow bezel*
- *Anti-glare treatment*
- *Portable*
- *No table cutout required*
- *Safe, DC 12V power supply*

CE  
FCC



Thanks for choosing us,  
Please read this instruction carefully before using the device.



*Please remove the transportation screws in the back, right, left side of housing and protection foam of the screen before power up to avoid damage to the product!*

In order to make sure the device is working properly, please follow below instructions:

- If found any abnormal situation, please cut off the power, plug off the power cord and contact the supplier. To avoid any fire accident, DON'T use device in following situations,
  - If peculiar smell found or fog comes from the product
  - If water or metal parts get inside the product
  - If the housing is deformed or damaged
  - If internal wire is broken
- As the device is high voltage, please DON'T open the housing at random to avoid fire or electric shock.
- DON'T put any conducting liquid on top of the product, to avoid fire or electric shock.
- The product is I type, should be connected to ground.



- Display

screen size	17.3 inch
matrix type	IPS
resolution	1920*1080
brightness	250cd/ m <sup>2</sup>
contrast ratio	800:1
aspect ratio	16:9
view angle	85/85/85/85
backlight lifespan	15000 hours
response time (if any)	30(Typ.)(Tr+Td)ms
screen tilt	0-90° manually adjustable
touch	10 point capacity

- Electronical

signal input	mini HDMI*2
touch input (if any)	USB touch
terminal block	PC switch+signal switch
power supply	DC 12V
power consumption	≤30W

- Mechanism

material	anodized aluminium
finishing	black/silver, matt/brushed customization available
G.W.	3.5kgs
packing dimension	505*365*107mm
temperature	working 0°C~+50°C, storage -20°C~+60°C
humidity	working ≤90%, storage ≤90%

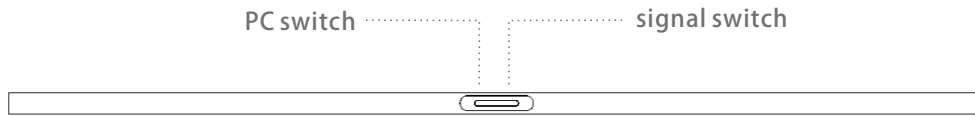
- Accessory

mini HDMI-HDMI cable*2, 1.5m	power adapter
------------------------------	---------------

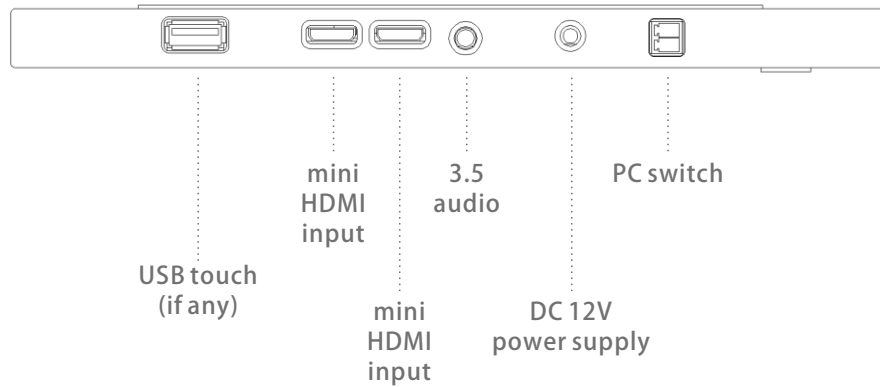
*Above specifications are subject to change without prior notice,  
explanation right reserved.*



## Cover plate



## Connectors on the housing

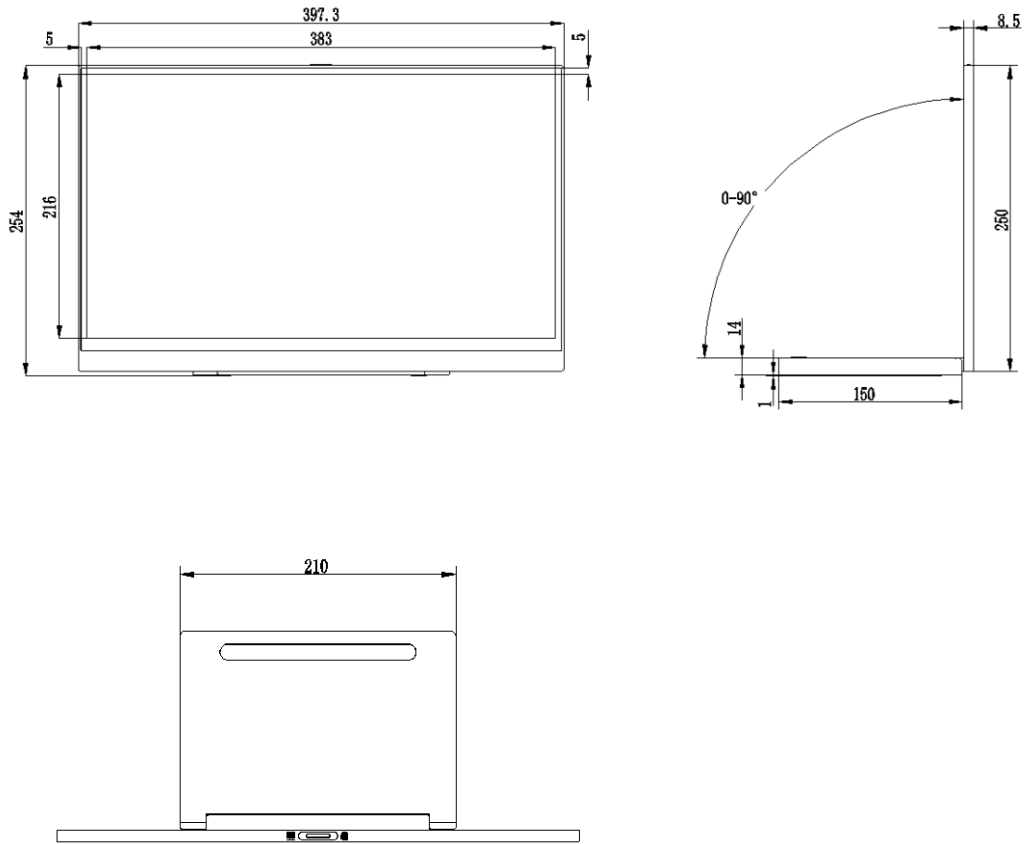


## Warranty

1 year by default, effective from delivery date  
price increase 3% when extend to 2years  
price increase 5% when extend to 3years  
price increase 10% when extend to 5years



## Dimensions



*Above dimensions for reference and subject to change, please double confirm.*

